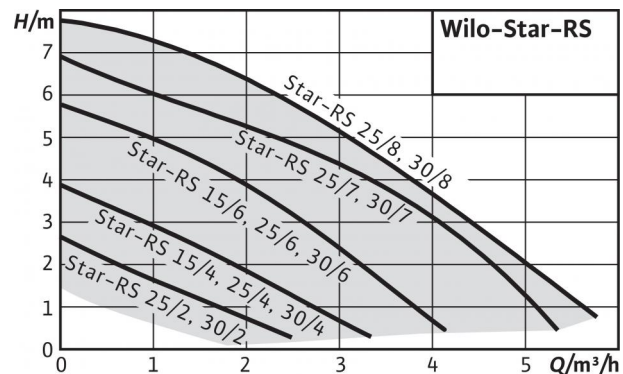


## Series description: Wilo-Star-RS



Similar to figure



### Design

Glandless circulation pump with threaded connection. Preselectable speed stages for power adjustment

### Application

Hot-water heating systems of all kinds, industrial circulation systems, cold water systems and air-conditioning systems

### Type key

Example:  
**Star-RS**  
**25/**  
**4**

**Wilo-Star-RS 25/4**  
 Standard pump (screw-end pump)  
 Nominal connection diameter Rp  
 Nominal delivery head [m] at  $Q = 0 \text{ m}^3/\text{h}$

### Special features/product advantages

- Suitable for any installation location with a horizontal shaft; terminal box in 3-6-9-12 o'clock position
- Three preselectable speed stages for load adjustment
- Easy and safe installation due to practical wrench attachment point on pump body
- Simplified electrical installation due to terminal box with removable threaded cable connection that can be used on both sides; quick connection with spring clips

### Technical data

- Permissible temperature range  $-10^\circ\text{C}$  to  $+110^\circ\text{C}$
- Mains connection 1~230 V, 50 Hz
- Protection class IP 44
- Threaded connection Rp  $\frac{1}{2}$ , Rp 1 or Rp  $\frac{1}{4}$
- Max. operating pressure 10 bar

### Equipment/function

#### Operating modes

- Speed-stage switching

#### Manual functions

- Setting of speed stages (3 speed stages)

### Equipment

- Wrench attachment point on pump body
- Cable lead-in possible on both sides
- Quick connection with spring clips
- Blocking current-proof motor

### Materials

- Pump housing: Grey cast iron
- Impeller: Plastic
- Shaft: stainless steel
- Bearing: Carbon, metal impregnated

### Scope of delivery

- Pump
- Seals
- Installation and operating instructions

### Options

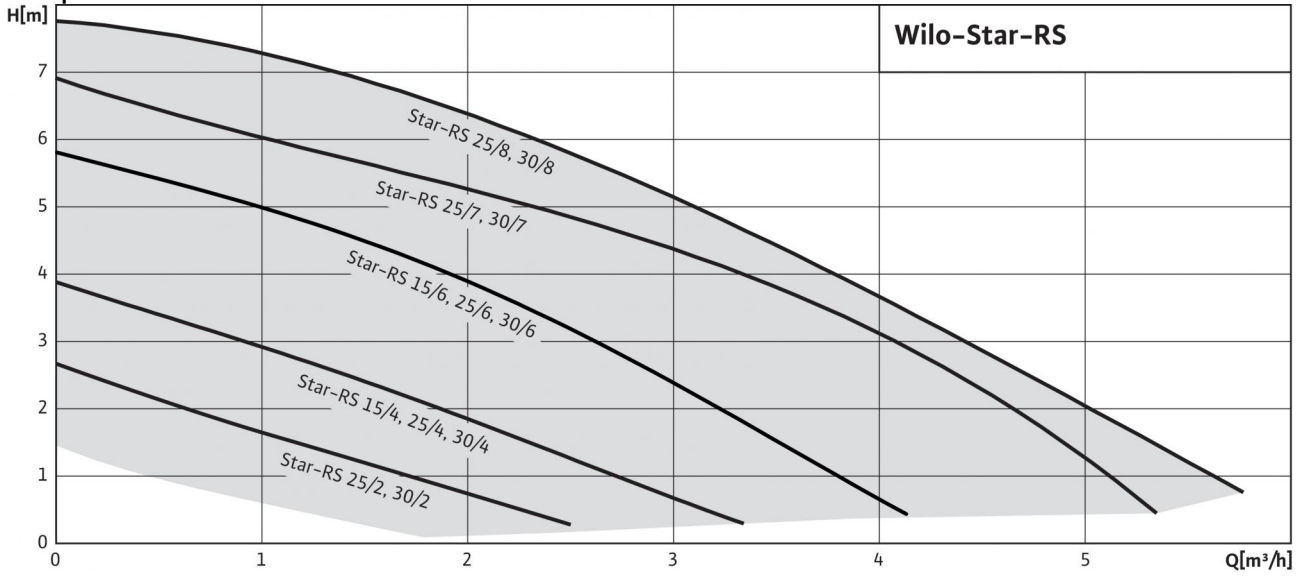
- Version ...RG with housing made of red brass
- Version ...-130 with short overall length of -130 mm

### Accessories

- Screwed connections
- Adapter fittings
- Thermal insulation shells

## Duty chart: Wilo-Star-RS

Pump curves

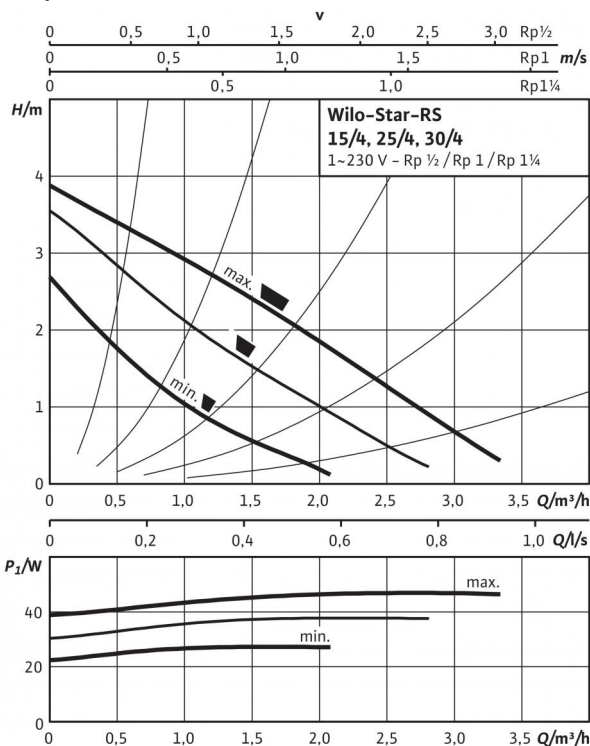


## Product list: Wilo-Star-RS

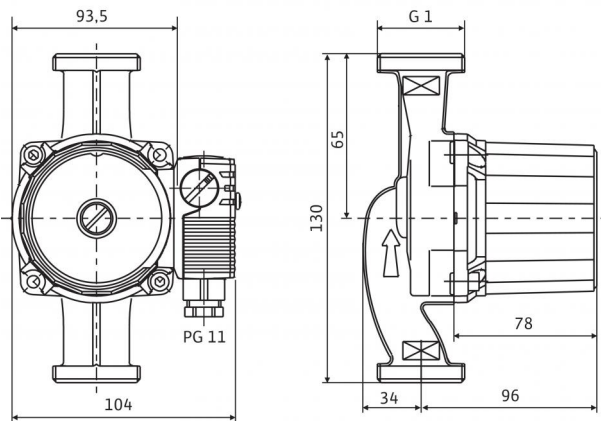
Type	Max. volume flow $Q_{max}$	Max. delivery head $H_{max}$	Thread	Threaded pipe union	Rated pressure $PN$	Overall length $L0$	Mains connection	Gross weight $m$	Pieces per pallet	Art no.
Star-RS 15/4	4 m <sup>3</sup> /h	4 m	G 1	Rp ½	10 bar	130 mm	1~230 V, 50 Hz	2.2 kg	280	4063802
Star-RS 15/6	4 m <sup>3</sup> /h	6 m	G 1	Rp ½	10 bar	130 mm	1~230 V, 50 Hz	2.3 kg	280	4063803
Star-RS 25/2	3 m <sup>3</sup> /h	2 m	G 1½	Rp 1	10 bar	180 mm	1~230 V, 50 Hz	2.5 kg	256	4032952
Star-RS 25/4	4 m <sup>3</sup> /h	4 m	G 1½	Rp 1	10 bar	180 mm	1~230 V, 50 Hz	2.5 kg	256	4032954
Star-RS 25/4-130	4 m <sup>3</sup> /h	4 m	G 1½	Rp 1	10 bar	130 mm	1~230 V, 50 Hz	2.3 kg	280	4033776
Star-RS 25/4-RG	4 m <sup>3</sup> /h	4 m	G 1½	Rp 1	10 bar	180 mm	1~230 V, 50 Hz	2.7 kg	256	4035758
Star-RS 25/6	4 m <sup>3</sup> /h	6 m	G 1½	Rp 1	10 bar	180 mm	1~230 V, 50 Hz	2.7 kg	256	4032956
Star-RS 25/6-130	4 m <sup>3</sup> /h	6 m	G 1½	Rp 1	10 bar	130 mm	1~230 V, 50 Hz	2.5 kg	280	4033782
Star-RS 25/6-RG	4 m <sup>3</sup> /h	6 m	G 1½	Rp 1	10 bar	180 mm	1~230 V, 50 Hz	2.8 kg	256	4035761
Star-RS 25/7	5 m <sup>3</sup> /h	7 m	G 1½	Rp 1	10 bar	180 mm	1~230 V, 50 Hz	2.9 kg	256	4037310
Star-RS 25/8	6 m <sup>3</sup> /h	8 m	G 1½	Rp 1	10 bar	180 mm	1~230 V, 50 Hz	3.6 kg	140	4094258
Star-RS 30/2	3 m <sup>3</sup> /h	2 m	G 2	Rp 1¼	10 bar	180 mm	1~230 V, 50 Hz	2.7 kg	256	4033760
Star-RS 30/4	4 m <sup>3</sup> /h	4 m	G 2	Rp 1¼	10 bar	180 mm	1~230 V, 50 Hz	2.7 kg	256	4033765
Star-RS 30/6	4 m <sup>3</sup> /h	6 m	G 2	Rp 1¼	10 bar	180 mm	1~230 V, 50 Hz	2.8 kg	256	4033770
Star-RS 30/7	5 m <sup>3</sup> /h	7 m	G 2	Rp 1¼	10 bar	180 mm	1~230 V, 50 Hz	3.0 kg	256	4037311
Star-RS 30/8	6 m <sup>3</sup> /h	8 m	G 2	Rp 1¼	10 bar	180 mm	1~230 V, 50 Hz	3.7 kg	140	4094375

## Data sheet: Star-RS 15/4

### Pump curves



### Dimension drawing



Motor horizontal  
 Terminal box positions for 3, 6, 9 and 12 o'clock possible  
 On delivery, terminal box position is at 3 o'clock

### Approved fluids (other fluids on request)

Heating water (in accordance with VDI 2035)  
 Water-glycol mixtures (max. 1:1; above 20% admixture, the pumping data must be checked)

### Permitted field of application

Temperature range at max. ambient temperature +40 °C  
 Maximum permissible operating pressure  $P_{max}$

### Pipe connections

Threaded pipe union  
 Thread  
 Overall length  $L_0$

### Motor/electronics

Electromagnetic compatibility

Emitted interference

Interference resistance

Speed control

Protection class

Insulation class

Mains connection

Speed  $n$

Power consumption  $P_1$

Current consumption  $I$

Motor protection

Threaded cable connection  $PG$

### Materials

Pump housing

Impeller

Pump shaft

Bearing

### Minimum suction head at suction port for avoiding cavitation at water pumping

Temperature  
 Minimum suction head at 50 / 95 / 110 °C

### Information for order placements

Make

Art no.

Type

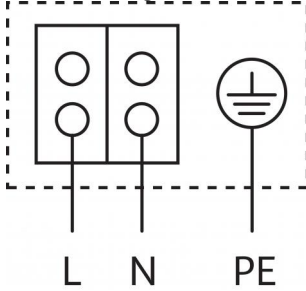
Weight approx.  $m$

Version ...RG with pump housing made of red brass

Version ...L with connection for quick aspirator

## Data sheet: Star-RS 15/4

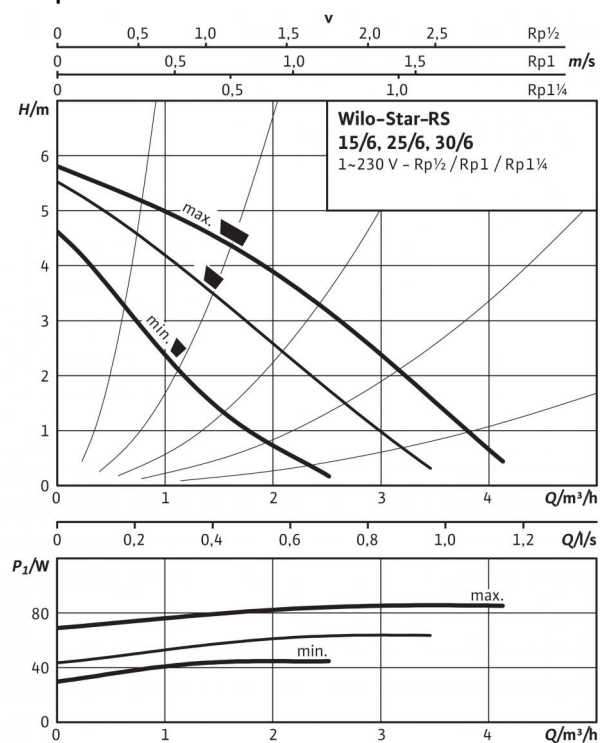
### Terminal diagram



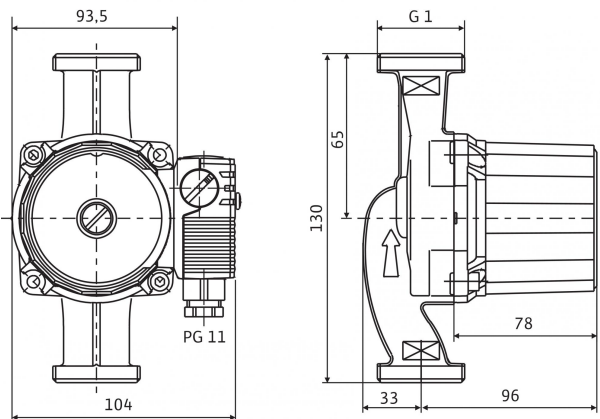
Blocking current-proof motor  
Single-phase motor (EM) 2-pole - 1~230 V, 50 Hz  
With built-in capacitor

## Data sheet: Star-RS 15/6

### Pump curves



### Dimension drawing



Motor horizontal  
 Terminal box positions for 3, 6, 9 and 12 o'clock possible  
 On delivery, terminal box position is at 3 o'clock

### Approved fluids (other fluids on request)

Heating water (in accordance with VDI 2035)

Water-glycol mixtures (max. 1:1; above 20% admixture, the pumping data must be checked)

### Permitted field of application

Temperature range at max. ambient temperature +40 °C

Maximum permissible operating pressure  $P_{max}$

### Pipe connections

Threaded pipe union

Thread

Overall length  $L_0$

### Motor/electronics

Electromagnetic compatibility

Emitted interference

Interference resistance

Speed control

Protection class

Insulation class

Mains connection

Speed  $n$

Power consumption  $P_1$

Current consumption  $I$

Motor protection

Threaded cable connection  $PG$

•
•

-10...+110 °C
10 bar

Rp ½
G 1
130 mm

EN 61800-3
EN 61000-6-3
EN 61000-6-2
-
IP 44
F
1~230 V, 50 Hz
2480 / 2750 / 2840 rpm
43 / 61 / 84 W
0.20 / 0.28 / 0.36 A
Not required (blocking-current proof)
1x11

### Materials

Pump housing

Impeller

Pump shaft

Bearing

Grey cast iron (EN-GJL-200)

Plastic (PP - 40% GF)

Stainless steel (X40Cr13)

Carbon, metal impregnated

### Minimum suction head at suction port for avoiding cavitation at water pumping

Temperature  
 Minimum suction head at 50 / 95 / 110 °C

0.5 / 3 / 10 m

### Information for order placements

Make

Art no.

Type

Weight approx.  $m$

Wilo

4063803

Star-RS 15/6

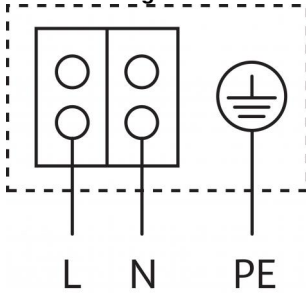
2.31 kg

Version ...RG with pump housing made of red brass

Version ...L with connection for quick aspirator

## Data sheet: Star-RS 15/6

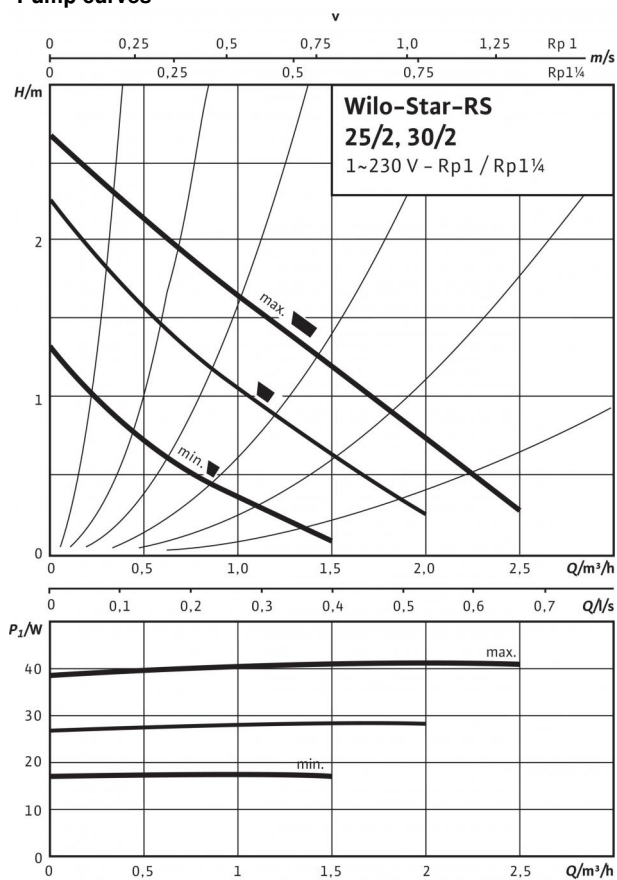
### Terminal diagram



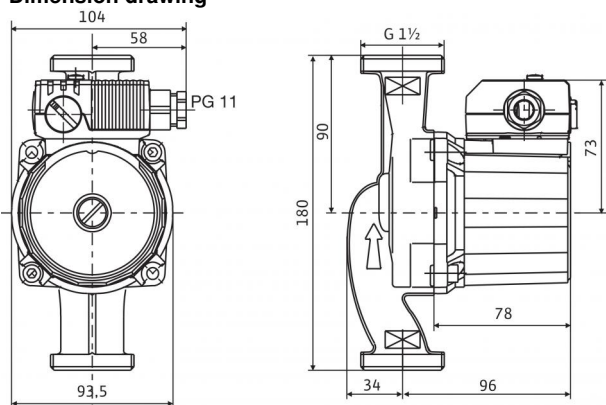
Blocking current-proof motor  
Single-phase motor (EM) 2-pole - 1~230 V, 50 Hz  
With built-in capacitor

## Data sheet: Star-RS 25/2

### Pump curves



### Dimension drawing



Motor horizontal

Terminal box positions for 3, 6, 9 and 12 o'clock possible

### Approved fluids (other fluids on request)

Heating water (in accordance with VDI 2035)

Water-glycol mixtures (max. 1:1; above 20% admixture, the pumping data must be checked)

### Permitted field of application

Temperature range at max. ambient temperature +40 °C

Maximum permissible operating pressure  $P_{max}$

### Pipe connections

Threaded pipe union

Thread

Overall length  $L_0$

### Motor/electronics

Electromagnetic compatibility

Emitted interference

Interference resistance

Speed control

Protection class

Insulation class

Mains connection

Speed  $n$

Power consumption  $P_1$

Current consumption  $I$

Motor protection

Threaded cable connection  $PG$

### Materials

Pump housing

Impeller

Pump shaft

Bearing

### Minimum suction head at suction port for avoiding cavitation at water pumping

Temperature  
Minimum suction head at 50 / 95 / 110 °C

### Information for order placements

Make

Art no.

Type

Weight approx.  $m$

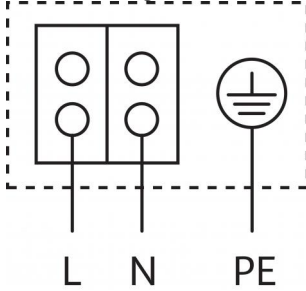
Version ...RG with pump housing made of red brass

Version ...L with connection for quick aspirator



## Data sheet: Star-RS 25/2

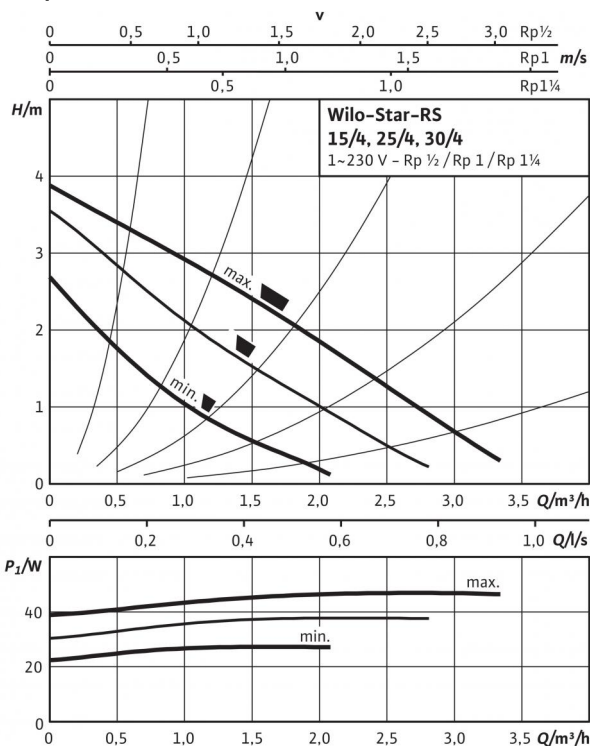
### Terminal diagram



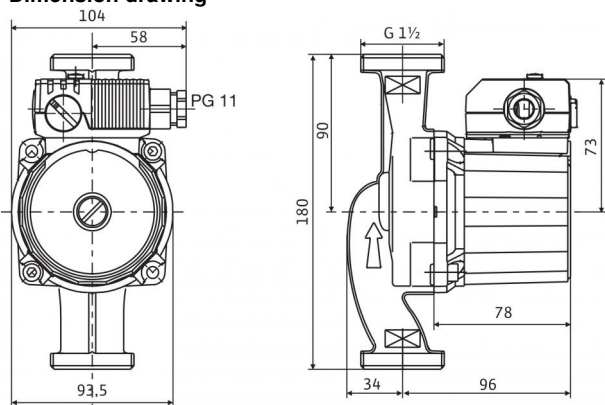
Blocking current-proof motor  
Single-phase motor (EM) 2-pole - 1~230 V, 50 Hz  
With built-in capacitor

## Data sheet: Star-RS 25/4

### Pump curves

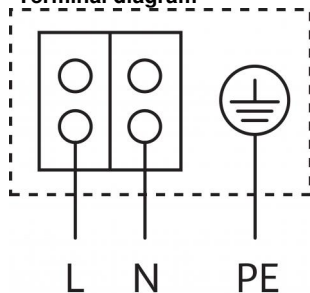


### Dimension drawing



Motor horizontal  
 Terminal box positions for 3, 6, 9 and 12 o'clock possible

### Terminal diagram



Blocking current-proof motor  
 Single-phase motor (EM) 2-pole - 1~230 V, 50 Hz  
 With built-in capacitor

### Approved fluids (other fluids on request)

Heating water (in accordance with VDI 2035)  
 Water-glycol mixtures (max. 1:1; above 20% admixture, the pumping data must be checked)

### Permitted field of application

Temperature range at max. ambient temperature +40 °C  
 Maximum permissible operating pressure  $P_{max}$

### Pipe connections

Threaded pipe union  
 Thread  
 Overall length  $L_0$

### Motor/electronics

Electromagnetic compatibility  
 Emitted interference  
 Interference resistance  
 Speed control  
 Protection class  
 Insulation class  
 Mains connection  
 Speed  $n$   
 Power consumption  $P_1$   
 Current consumption  $I$   
 Motor protection  
 Threaded cable connection PG

### Materials

Pump housing  
 Impeller  
 Pump shaft  
 Bearing

### Minimum suction head at suction port for avoiding cavitation at water pumping

Temperature  
 Minimum suction head at 50 / 95 / 110 °C

### Information for order placements

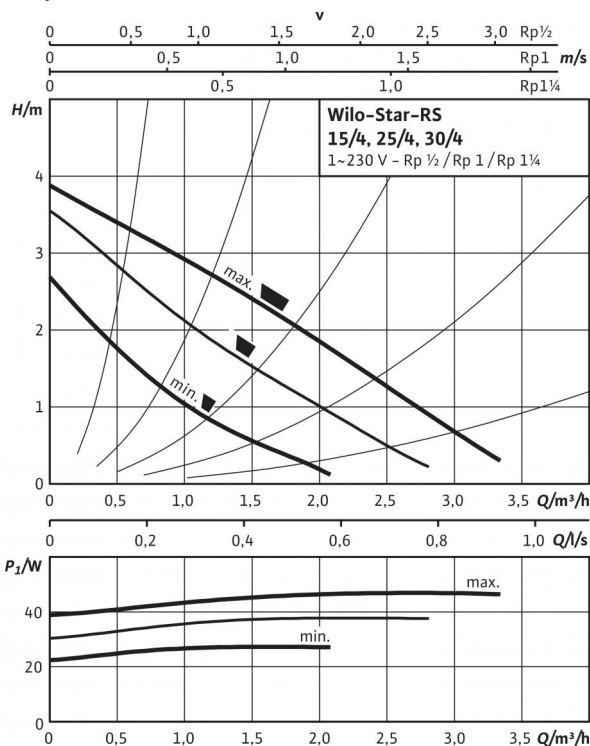
Make  
 Art no.  
 Type  
 Weight approx.  $m$

Version ...RG with pump housing made of red brass

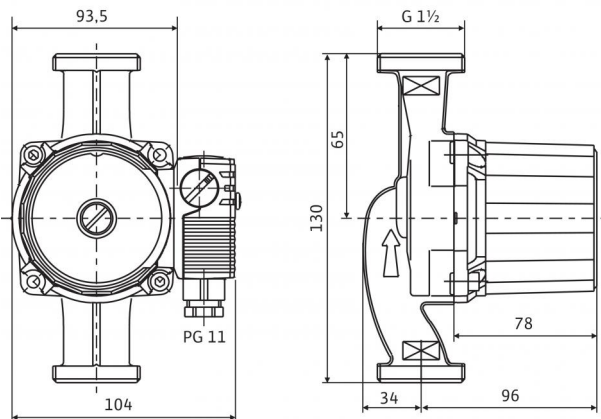
Version ...L with connection for quick aspirator

## Data sheet: Star-RS 25/4-130

### Pump curves



### Dimension drawing



Motor horizontal  
 Terminal box positions for 3, 6, 9 and 12 o'clock possible  
 On delivery, terminal box position is at 3 o'clock

### Approved fluids (other fluids on request)

Heating water (in accordance with VDI 2035)  
 Water-glycol mixtures (max. 1:1; above 20% admixture, the pumping data must be checked)

### Permitted field of application

Temperature range at max. ambient temperature +40 °C  
 Maximum permissible operating pressure  $P_{max}$

### Pipe connections

Threaded pipe union  
 Thread  
 Overall length  $L_0$

### Motor/electronics

Electromagnetic compatibility

Emitted interference

Interference resistance

Speed control

Protection class

Insulation class

Mains connection

Speed  $n$

Power consumption  $P_1$

Current consumption  $I$

Motor protection

Threaded cable connection  $PG$

### Materials

Pump housing

Impeller

Pump shaft

Bearing

### Minimum suction head at suction port for avoiding cavitation at water pumping

Temperature  
 Minimum suction head at 50 / 95 / 110 °C

### Information for order placements

Make

Art no.

Type

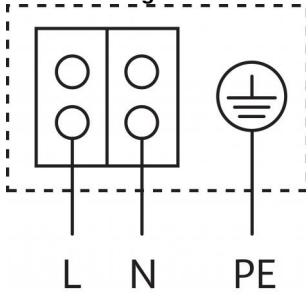
Weight approx.  $m$

Version ...RG with pump housing made of red brass

Version ...L with connection for quick aspirator

## Data sheet: Star-RS 25/4-130

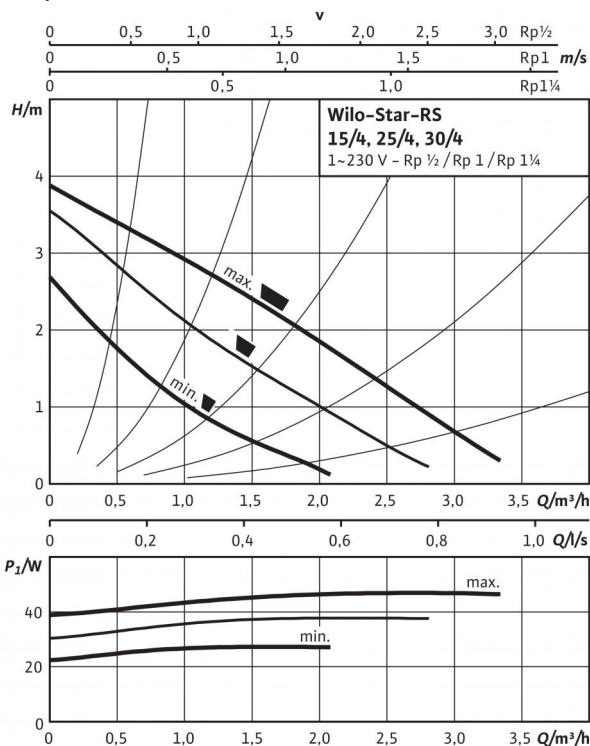
### Terminal diagram



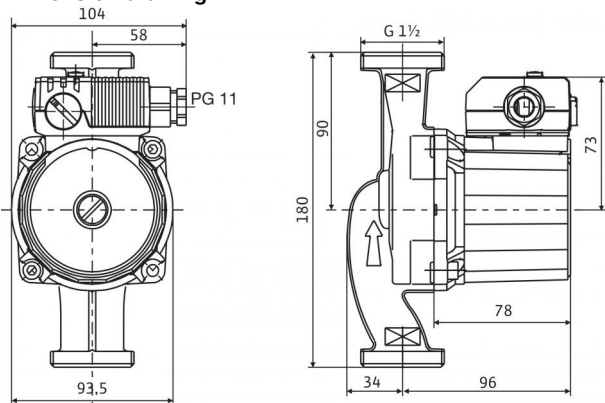
Blocking current-proof motor  
Single-phase motor (EM) 2-pole - 1~230 V, 50 Hz  
With built-in capacitor

## Data sheet: Star-RS 25/4-RG

### Pump curves

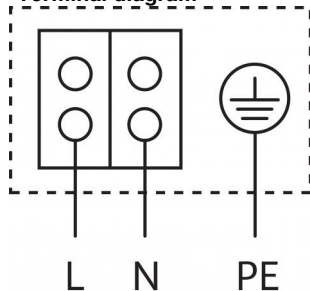


### Dimension drawing



Motor horizontal  
 Terminal box positions for 3, 6, 9 and 12 o'clock possible

### Terminal diagram



Blocking current-proof motor  
 Single-phase motor (EM) 2-pole - 1~230 V, 50 Hz  
 With built-in capacitor

### Approved fluids (other fluids on request)

Heating water (in accordance with VDI 2035)  
 Water-glycol mixtures (max. 1:1; above 20% admixture, the pumping data must be checked)

### Permitted field of application

Temperature range at max. ambient temperature +40 °C  
 Maximum permissible operating pressure  $P_{max}$  10 bar

### Pipe connections

Threaded pipe union Rp 1  
 Thread G 1 1/2  
 Overall length  $L_0$  180 mm

### Motor/electronics

Electromagnetic compatibility EN 61800-3  
 Emitted interference EN 61000-6-3  
 Interference resistance EN 61000-6-2  
 Speed control -  
 Protection class IP 44  
 Insulation class F  
 Mains connection 1~230 V, 50 Hz  
 Speed  $n$  2350 / 2630 / 2720 rpm  
 Power consumption  $P_1$  28 / 38 / 48 W  
 Current consumption  $I$  0.13 / 0.17 / 0.21 A  
 Motor protection Not required (blocking-current proof)  
 Threaded cable connection PG 1x11

### Materials

Pump housing Red brass (CC 499K) according to DIN 50930-6 in accordance with Drinking Water Ordinance  
 Impeller Plastic (PP - 40% GF)  
 Pump shaft Stainless steel (X40Cr13)  
 Bearing Carbon, metal impregnated

### Minimum suction head at suction port for avoiding cavitation at water pumping temperature

Minimum suction head at 50 / 95 / 110 °C 0.5 / 3 / 10 m

### Information for order placements

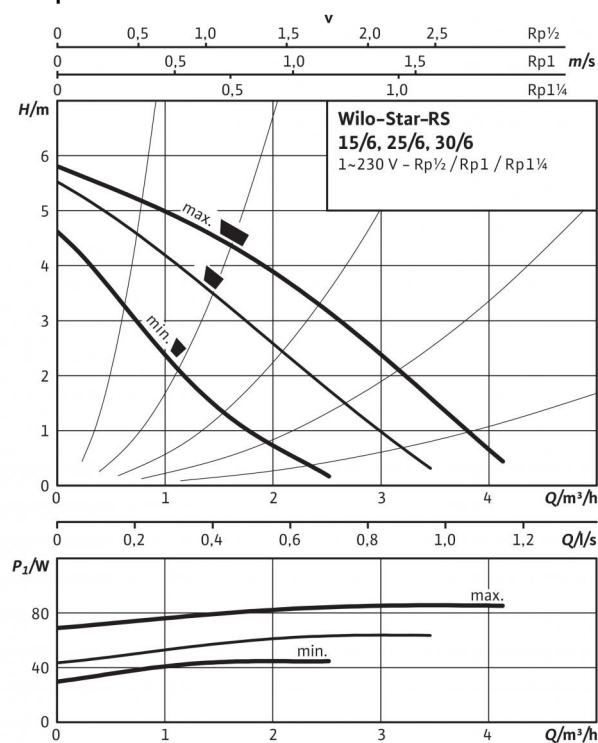
Make Wilo  
 Art no. 4035758  
 Type Star-RS 25/4-RG  
 Weight approx.  $m$  2.7 kg

Version ...RG with pump housing made of red brass

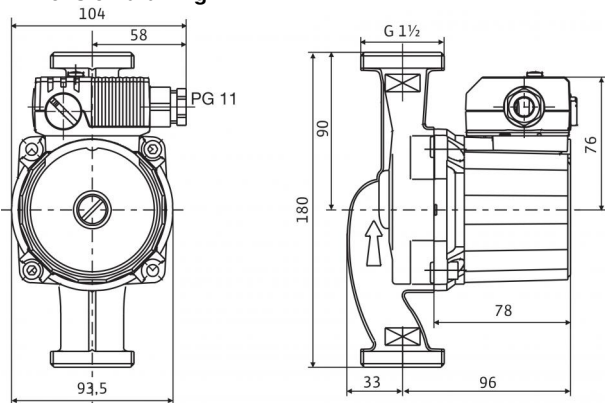
Version ...L with connection for quick aspirator

## Data sheet: Star-RS 25/6

### Pump curves

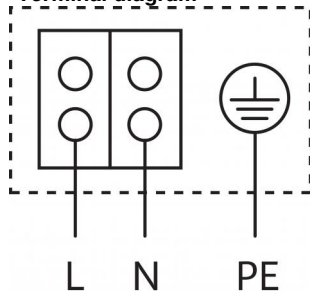


### Dimension drawing



Motor horizontal  
 Terminal box positions for 3, 6, 9 and 12 o'clock possible

### Terminal diagram



Blocking current-proof motor  
 Single-phase motor (EM) 2-pole - 1~230 V, 50 Hz  
 With built-in capacitor

### Approved fluids (other fluids on request)

Heating water (in accordance with VDI 2035)  
 Water-glycol mixtures (max. 1:1; above 20% admixture, the pumping data must be checked)

### Permitted field of application

Temperature range at max. ambient temperature +40 °C  
 Maximum permissible operating pressure  $P_{max}$  10 bar

### Pipe connections

Threaded pipe union Rp 1  
 Thread G 1½  
 Overall length  $L_0$  180 mm

### Motor/electronics

Electromagnetic compatibility EN 61800-3  
 Emitted interference EN 61000-6-3  
 Interference resistance EN 61000-6-2  
 Speed control -  
 Protection class IP 44  
 Insulation class F  
 Mains connection 1~230 V, 50 Hz  
 Speed  $n$  2480 / 2750 / 2840 rpm  
 Power consumption  $P_1$  43 / 61 / 84 W  
 Current consumption  $I$  0.20 / 0.28 / 0.36 A  
 Motor protection Not required (blocking-current proof)  
 Threaded cable connection PG 1x11

### Materials

Pump housing Grey cast iron (EN-GJL-200)  
 Impeller Plastic (PP - 40% GF)  
 Pump shaft Stainless steel (X40Cr13)  
 Bearing Carbon, metal impregnated

### Minimum suction head at suction port for avoiding cavitation at water pumping

Temperature  
 Minimum suction head at 50 / 95 / 110 °C 0.5 / 3 / 10 m

### Information for order placements

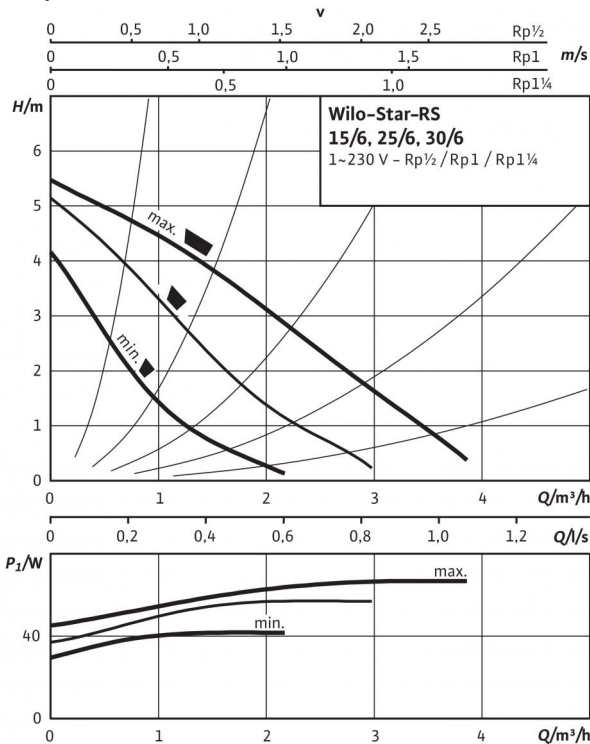
Make Wilo  
 Art no. 4032956  
 Type Star-RS 25/6  
 Weight approx.  $m$  2.7 kg

Version ...RG with pump housing made of red brass

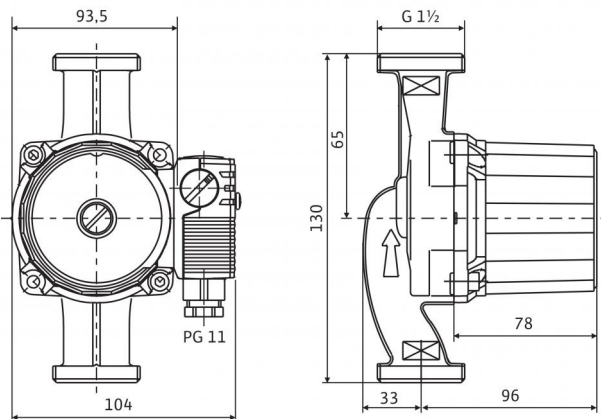
Version ...L with connection for quick aspirator

## Data sheet: Star-RS 25/6-130

### Pump curves



### Dimension drawing



Motor horizontal  
 Terminal box positions for 3, 6, 9 and 12 o'clock possible  
 On delivery, terminal box position is at 3 o'clock

### Approved fluids (other fluids on request)

Heating water (in accordance with VDI 2035)  
 Water-glycol mixtures (max. 1:1; above 20% admixture, the pumping data must be checked)

### Permitted field of application

Temperature range at max. ambient temperature +40 °C  
 Maximum permissible operating pressure  $P_{max}$

### Pipe connections

Threaded pipe union  
 Thread  
 Overall length  $L_0$

### Motor/electronics

Electromagnetic compatibility  
 Emitted interference  
 Interference resistance  
 Speed control  
 Protection class  
 Insulation class  
 Mains connection  
 Speed  $n$   
 Power consumption  $P_1$   
 Current consumption  $I$   
 Motor protection  
 Threaded cable connection  $PG$

### Materials

Pump housing  
 Impeller  
 Pump shaft  
 Bearing

### Minimum suction head at suction port for avoiding cavitation at water pumping

Temperature  
 Minimum suction head at 50 / 95 / 110 °C

### Information for order placements

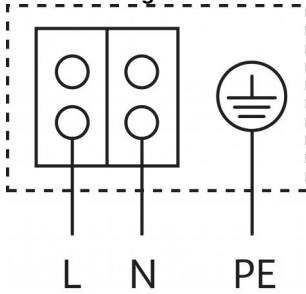
Make  
 Art no.  
 Type  
 Weight approx.  $m$

Version ...RG with pump housing made of red brass

Version ...L with connection for quick aspirator

## Data sheet: Star-RS 25/6-130

### Terminal diagram

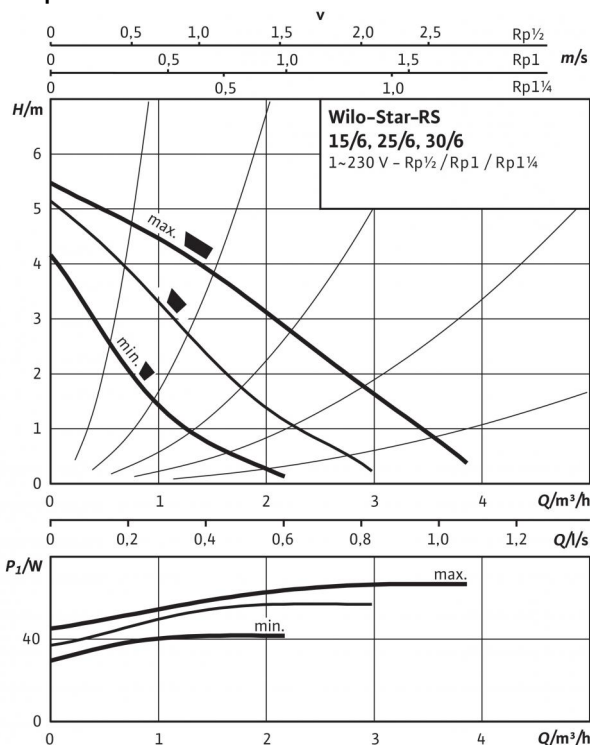


Blocking current-proof motor  
Single-phase motor (EM) 2-pole - 1~230 V, 50 Hz  
With built-in capacitor

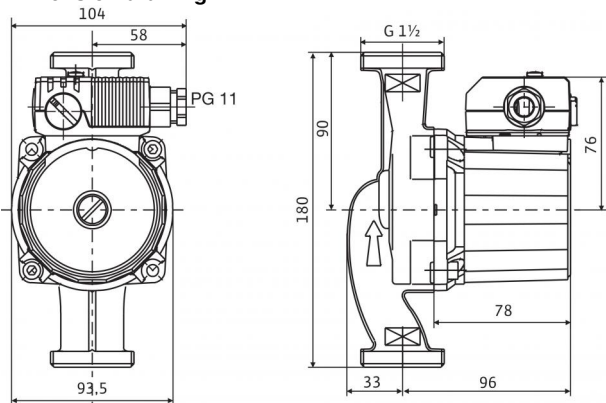


## Data sheet: Star-RS 25/6-RG

### Pump curves

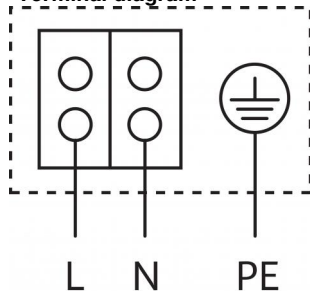


### Dimension drawing



Motor horizontal  
 Terminal box positions for 3, 6, 9 and 12 o'clock possible

### Terminal diagram



Blocking current-proof motor  
 Single-phase motor (EM) 2-pole - 1~230 V, 50 Hz  
 With built-in capacitor

### Approved fluids (other fluids on request)

Heating water (in accordance with VDI 2035)  
 Water-glycol mixtures (max. 1:1; above 20% admixture, the pumping data must be checked)

### Permitted field of application

Temperature range at max. ambient temperature +40 °C

Maximum permissible operating pressure  $P_{max}$

-10...+110 °C

10 bar

### Pipe connections

Threaded pipe union

Thread

Overall length  $L_0$

Rp 1

G 1½

180 mm

### Motor/electronics

Electromagnetic compatibility

Emitted interference

Interference resistance

Speed control

Protection class

Insulation class

Mains connection

Speed  $n$

Power consumption  $P_1$

Current consumption  $I$

Motor protection

Threaded cable connection PG

EN 61800-3

EN 61000-6-3

EN 61000-6-2

-

IP 44

F

1~230 V, 50 Hz

2480 / 2750 / 2840 rpm

43 / 61 / 84 W

0.20 / 0.28 / 0.36 A

Not required (blocking-current proof)

1x11

### Materials

Pump housing

Impeller

Pump shaft

Bearing

Red brass (CC 499K) according to DIN 50930-6 in accordance with Drinking Water Ordinance

Plastic (PP - 40% GF)

Stainless steel (X40Cr13)

Carbon, metal impregnated

### Minimum suction head at suction port for avoiding cavitation at water pumping temperature

Minimum suction head at 50 / 95 / 110 °C

0.5 / 3 / 10 m

### Information for order placements

Make

Art no.

Type

Weight approx.  $m$

Version ...RG with pump housing made of red brass

Version ...L with connection for quick aspirator

Wilo

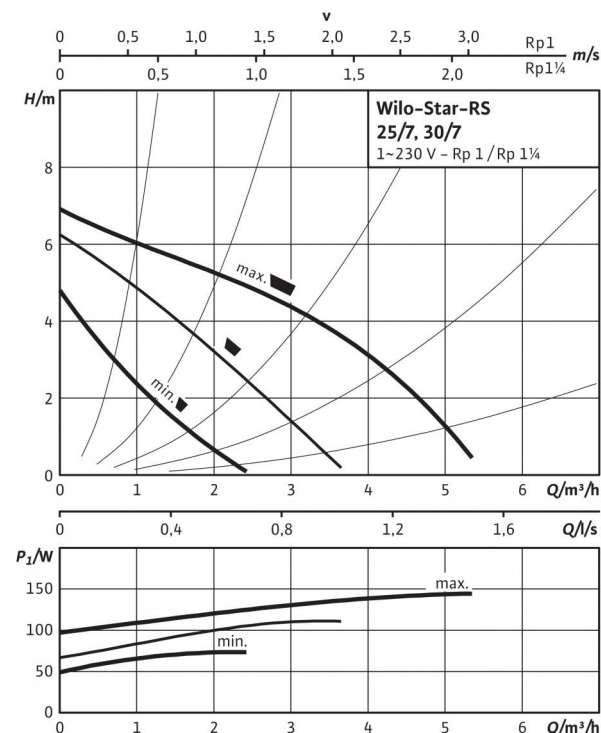
4035761

Star-RS 25/6-RG

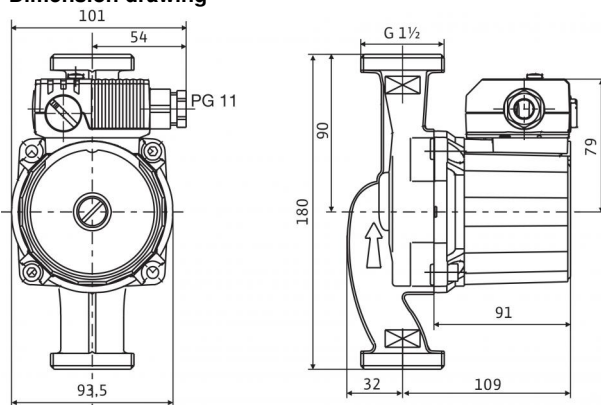
2.8 kg

## Data sheet: Star-RS 25/7

### Pump curves

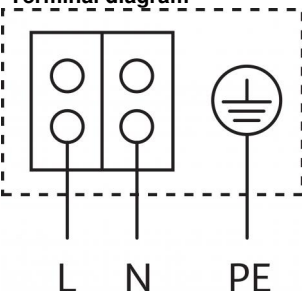


### Dimension drawing



Motor horizontal  
 Terminal box positions for 3, 6, 9 and 12 o'clock possible

### Terminal diagram



Blocking current-proof motor  
 Single-phase motor (EM) 2-pole - 1~230 V, 50 Hz  
 With built-in capacitor

### Approved fluids (other fluids on request)

Heating water (in accordance with VDI 2035)  
 Water-glycol mixtures (max. 1:1; above 20% admixture, the pumping data must be checked)

### Permitted field of application

Temperature range at max. ambient temperature +40 °C  
 Maximum permissible operating pressure  $P_{max}$

### Pipe connections

Threaded pipe union  
 Thread  
 Overall length  $L_0$

### Motor/electronics

Electromagnetic compatibility	EN 61800-3
Emitted interference	EN 61000-6-3
Interference resistance	EN 61000-6-2
Speed control	-
Protection class	IP 44
Insulation class	F
Mains connection	1~230 V, 50 Hz
Speed $n$	2300 / 2650 / 2800 rpm
Power consumption $P_1$	62 / 92 / 132 W
Current consumption $I$	0.30 / 0.42 / 0.58 A
Motor protection	Not required (blocking-current proof)
Threaded cable connection PG	1x11

### Materials

Pump housing	Grey cast iron
Impeller	Fibreglass-reinforced PP
Pump shaft	Stainless steel (X40Cr13)
Bearing	Carbon, metal impregnated

### Minimum suction head at suction port for avoiding cavitation at water pumping

Temperature	Minimum suction head at 50 / 95 / 110 °C	0.5 / 3 / 10 m
-------------	--	----------------

### Information for order placements

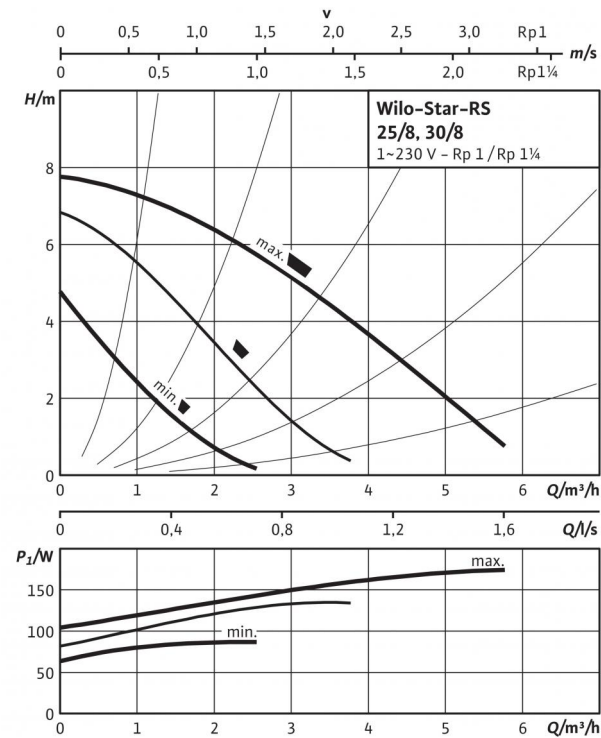
Make	Wilo
Art no.	4037310
Type	Star-RS 25/7
Weight approx. $m$	2.92 kg

Version ...RG with pump housing made of red brass

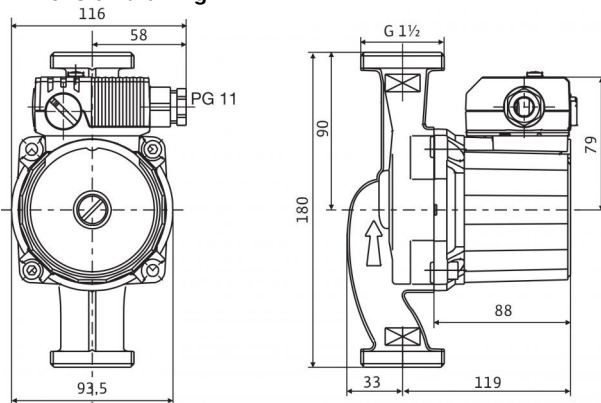
Version ...L with connection for quick aspirator

## Data sheet: Star-RS 25/8

### Pump curves

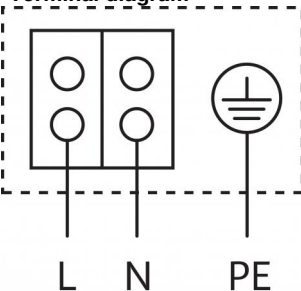


### Dimension drawing



Motor horizontal  
 Terminal box positions for 3, 6, 9 and 12 o'clock possible

### Terminal diagram



Blocking current-proof motor  
 Single-phase motor (EM) 2-pole - 1~230 V, 50 Hz  
 With built-in capacitor

### Approved fluids (other fluids on request)

Heating water (in accordance with VDI 2035)  
 Water-glycol mixtures (max. 1:1; above 20% admixture, the pumping data must be checked)

### Permitted field of application

Temperature range at max. ambient temperature +40 °C  
 Maximum permissible operating pressure  $P_{max}$

### Pipe connections

Threaded pipe union  
 Thread  
 Overall length  $L_0$

### Motor/electronics

Electromagnetic compatibility

Emitted interference

Interference resistance

Speed control

Protection class

Insulation class

Mains connection

Speed  $n$

Power consumption  $P_1$

Current consumption  $I$

Motor protection

Threaded cable connection PG

### Materials

Pump housing

Impeller

Pump shaft

Bearing

### Minimum suction head at suction port for avoiding cavitation at water pumping

Temperature  
 Minimum suction head at 50 / 95 / 110 °C

### Information for order placements

Make

Art no.

Type

Weight approx.  $m$

Version ...RG with pump housing made of red brass

Version ...L with connection for quick aspirator

•
•

-10...+110 °C
10 bar

Rp 1
G 1½
180 mm

EN 61800-3
EN 61000-6-3
EN 61000-6-2
-
IP 44
F
1~230 V, 50 Hz
2122 / 2404 / 2760 rpm
81 / 113 / 151 W
0.40 / 0.60 / 0.76 A
Not required (blocking-current proof)
1x11

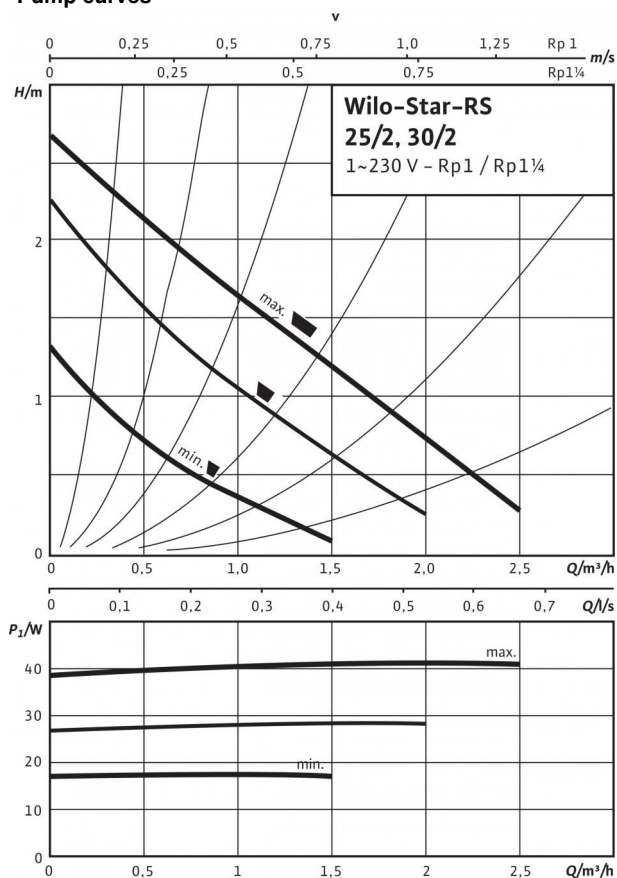
Grey cast iron
Fibreglass-reinforced PP
Stainless steel (X40Cr13)
Carbon, metal impregnated

0.5 / 3 / 10 m
----------------

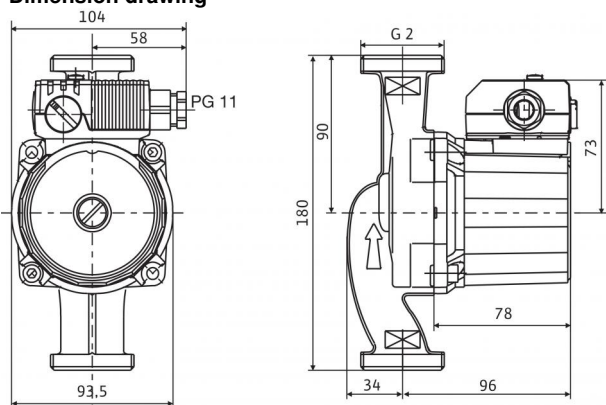
Wilo
4094258
Star-RS 25/8
3.6 kg

## Data sheet: Star-RS 30/2

### Pump curves



### Dimension drawing



Motor horizontal

Terminal box positions for 3, 6, 9 and 12 o'clock possible

### Approved fluids (other fluids on request)

Heating water (in accordance with VDI 2035)  
 Water-glycol mixtures (max. 1:1; above 20% admixture, the pumping data must be checked)

### Permitted field of application

Temperature range at max. ambient temperature +40 °C  
 Maximum permissible operating pressure  $P_{max}$

-10...+110 °C  
 10 bar

### Pipe connections

Threaded pipe union  
 Thread  
 Overall length  $L_0$

Rp 1¼  
 G 2  
 180 mm

### Motor/electronics

Electromagnetic compatibility  
 Emitted interference  
 Interference resistance  
 Speed control  
 Protection class  
 Insulation class  
 Mains connection  
 Speed  $n$   
 Power consumption  $P_1$   
 Current consumption  $I$   
 Motor protection  
 Threaded cable connection  $PG$

EN 61800-3  
 EN 61000-6-3  
 EN 61000-6-2  
 -  
 IP 44  
 F  
 1~230 V, 50 Hz  
 1660 / 2210 / 2250 rpm  
 18 / 30 / 45 W  
 0.08 / 0.13 / 0.20 A  
 Not required (blocking-current proof)  
 1x11

### Materials

Pump housing  
 Impeller  
 Pump shaft  
 Bearing

Grey cast iron (EN-GJL-200)  
 Plastic (PP - 40% GF)  
 Stainless steel (X40Cr13)  
 Carbon, metal impregnated

### Minimum suction head at suction port for avoiding cavitation at water pumping

Temperature  
 Minimum suction head at 50 / 95 / 110 °C

0.5 / 3 / 10 m

### Information for order placements

Make  
 Art no.  
 Type  
 Weight approx.  $m$

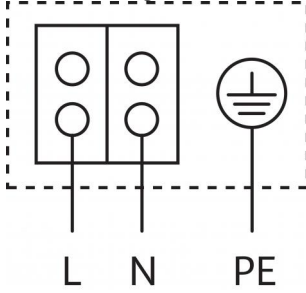
Wilo  
 4033760  
 Star-RS 30/2  
 2.66 kg

Version ...RG with pump housing made of red brass

Version ...L with connection for quick aspirator

## Data sheet: Star-RS 30/2

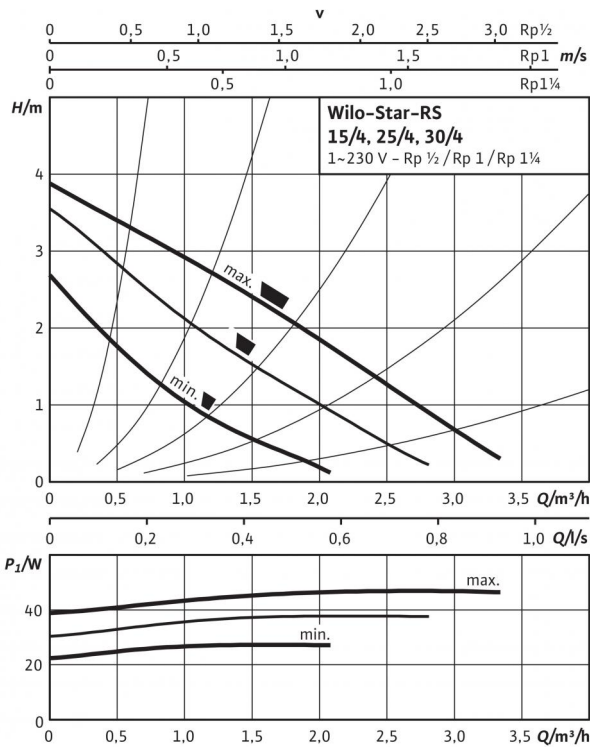
### Terminal diagram



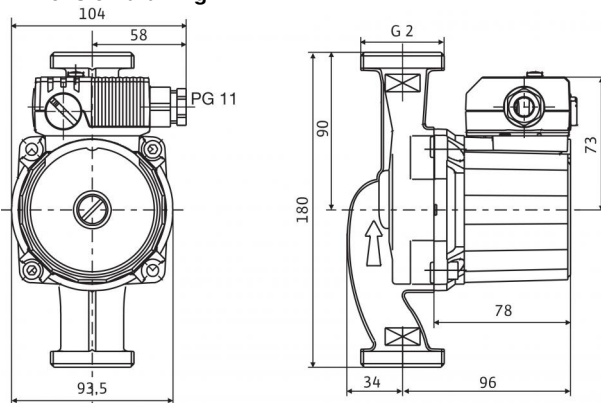
Blocking current-proof motor  
Single-phase motor (EM) 2-pole - 1~230 V, 50 Hz  
With built-in capacitor

## Data sheet: Star-RS 30/4

### Pump curves

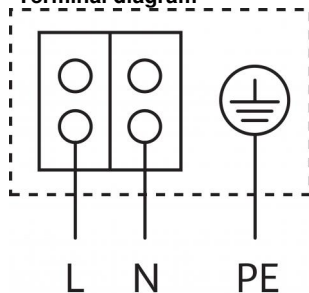


### Dimension drawing



Motor horizontal  
 Terminal box positions for 3, 6, 9 and 12 o'clock possible

### Terminal diagram



Blocking current-proof motor  
 Single-phase motor (EM) 2-pole - 1~230 V, 50 Hz  
 With built-in capacitor

### Approved fluids (other fluids on request)

Heating water (in accordance with VDI 2035)  
 Water-glycol mixtures (max. 1:1; above 20% admixture, the pumping data must be checked)

### Permitted field of application

Temperature range at max. ambient temperature +40 °C  
 Maximum permissible operating pressure  $P_{max}$  10 bar

### Pipe connections

Threaded pipe union Rp 1 1/4  
 Thread G 2  
 Overall length  $L_0$  180 mm

### Motor/electronics

Electromagnetic compatibility EN 61800-3  
 Emitted interference EN 61000-6-3  
 Interference resistance EN 61000-6-2  
 Speed control -  
 Protection class IP 44  
 Insulation class F  
 Mains connection 1~230 V, 50 Hz  
 Speed  $n$  2350 / 2630 / 2720 rpm  
 Power consumption  $P_1$  28 / 38 / 48 W  
 Current consumption  $I$  0.13 / 0.17 / 0.21 A  
 Motor protection Not required (blocking-current proof)  
 Threaded cable connection PG 1x11

### Materials

Pump housing Grey cast iron (EN-GJL-200)  
 Impeller Plastic (PP - 40% GF)  
 Pump shaft Stainless steel (X40Cr13)  
 Bearing Carbon, metal impregnated

### Minimum suction head at suction port for avoiding cavitation at water pumping

Temperature  
 Minimum suction head at 50 / 95 / 110 °C 0.5 / 3 / 10 m

### Information for order placements

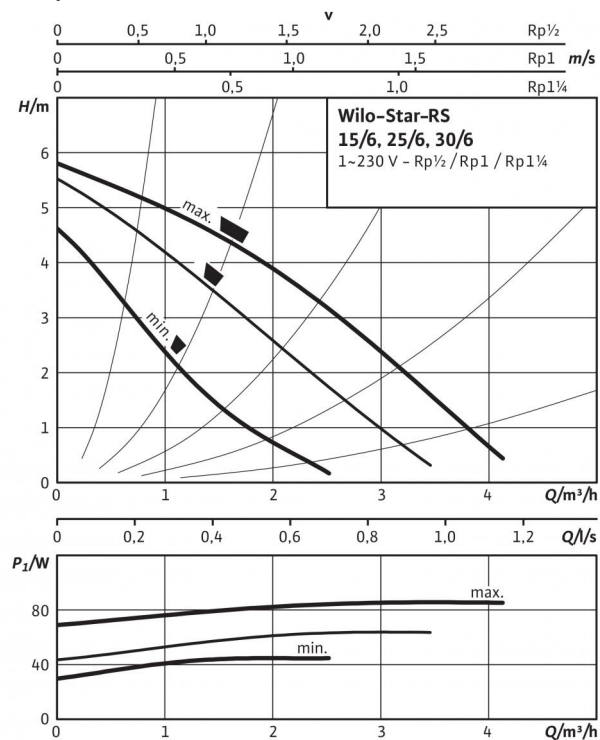
Make Wilo  
 Art no. 4033765  
 Type Star-RS 30/4  
 Weight approx.  $m$  2.68 kg

Version ...RG with pump housing made of red brass

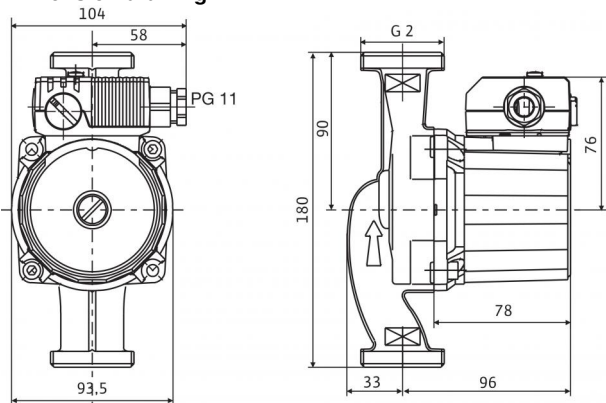
Version ...L with connection for quick aspirator

## Data sheet: Star-RS 30/6

### Pump curves

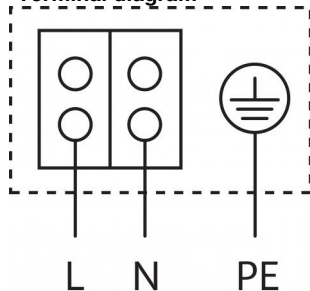


### Dimension drawing



Motor horizontal  
 Terminal box positions for 3, 6, 9 and 12 o'clock possible

### Terminal diagram



Blocking current-proof motor  
 Single-phase motor (EM) 2-pole - 1~230 V, 50 Hz  
 With built-in capacitor

### Approved fluids (other fluids on request)

Heating water (in accordance with VDI 2035)  
 Water-glycol mixtures (max. 1:1; above 20% admixture, the pumping data must be checked)

### Permitted field of application

Temperature range at max. ambient temperature +40 °C  
 Maximum permissible operating pressure  $P_{max}$  10 bar

### Pipe connections

Threaded pipe union Rp 1¼  
 Thread G 2  
 Overall length  $L_0$  180 mm

### Motor/electronics

Electromagnetic compatibility EN 61800-3  
 Emitted interference EN 61000-6-3  
 Interference resistance EN 61000-6-2  
 Speed control -  
 Protection class IP 44  
 Insulation class F  
 Mains connection 1~230 V, 50 Hz  
 Speed  $n$  2480 / 2750 / 2840 rpm  
 Power consumption  $P_1$  43 / 61 / 84 W  
 Current consumption  $I$  0.20 / 0.28 / 0.36 A  
 Motor protection Not required (blocking-current proof)  
 Threaded cable connection PG 1x11

### Materials

Pump housing Grey cast iron (EN-GJL-200)  
 Impeller Plastic (PP - 40% GF)  
 Pump shaft Stainless steel (X40Cr13)  
 Bearing Carbon, metal impregnated

### Minimum suction head at suction port for avoiding cavitation at water pumping

Temperature  
 Minimum suction head at 50 / 95 / 110 °C 0.5 / 3 / 10 m

### Information for order placements

Make Wilo  
 Art no. 4033770  
 Type Star-RS 30/6  
 Weight approx.  $m$  2.82 kg

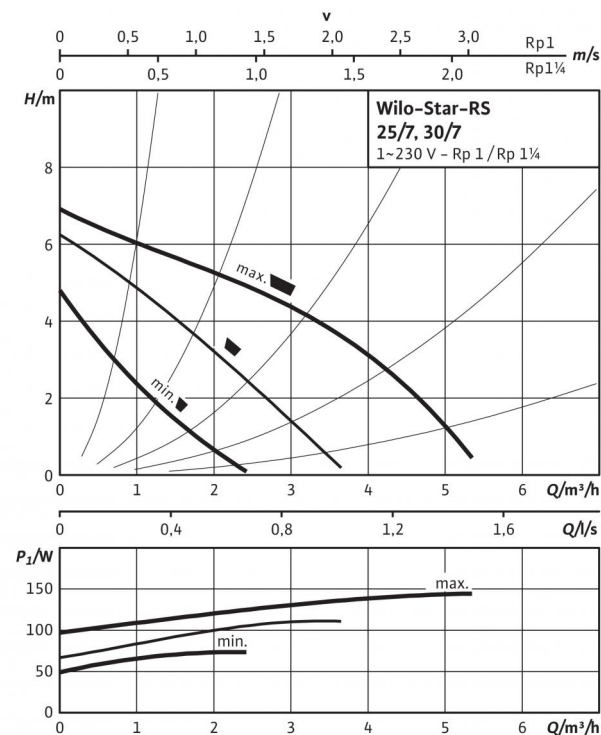
Version ...RG with pump housing made of red brass

Version ...L with connection for quick aspirator

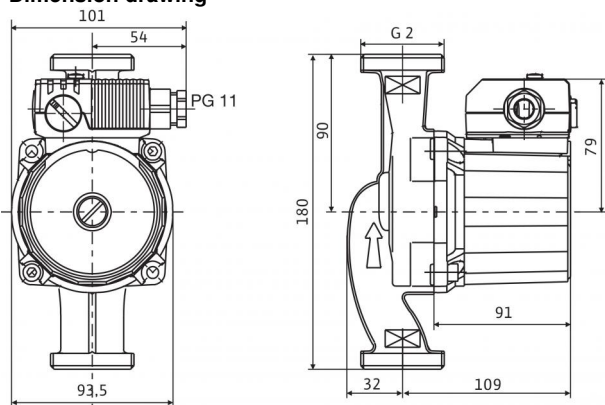


## Data sheet: Star-RS 30/7

### Pump curves

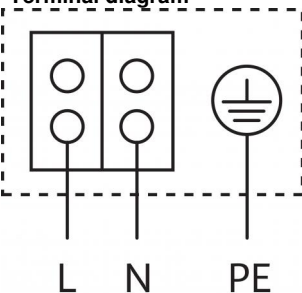


### Dimension drawing



Motor horizontal  
 Terminal box positions for 3, 6, 9 and 12 o'clock possible

### Terminal diagram



Blocking current-proof motor  
 Single-phase motor (EM) 2-pole - 1~230 V, 50 Hz  
 With built-in capacitor

### Approved fluids (other fluids on request)

Heating water (in accordance with VDI 2035)  
 Water-glycol mixtures (max. 1:1; above 20% admixture, the pumping data must be checked)

### Permitted field of application

Temperature range at max. ambient temperature +40 °C  
 Maximum permissible operating pressure  $P_{max}$

### Pipe connections

Threaded pipe union  
 Thread  
 Overall length  $L_0$

### Motor/electronics

Electromagnetic compatibility

Emitted interference

Interference resistance

Speed control

Protection class

Insulation class

Mains connection

Speed  $n$

Power consumption  $P_1$

Current consumption  $I$

Motor protection

Threaded cable connection PG

•

•

-10...+110 °C

10 bar

Rp 1¼

G 2

180 mm

EN 61800-3

EN 61000-6-3

EN 61000-6-2

-

IP 44

F

1~230 V, 50 Hz

2300 / 2650 / 2800 rpm

68 / 95 / 132 W

0.30 / 0.42 / 0.58 A

Not required (blocking-current proof)

1x11

### Materials

Pump housing

Impeller

Pump shaft

Bearing

Grey cast iron

Fibreglass-reinforced PP

Stainless steel (X40Cr13)

Carbon, metal impregnated

### Minimum suction head at suction port for avoiding cavitation at water pumping

Temperature  
 Minimum suction head at 50 / 95 / 110 °C

0.5 / 3 / 10 m

### Information for order placements

Make

Art no.

Type

Weight approx.  $m$

Wilo

4037311

Star-RS 30/7

3 kg

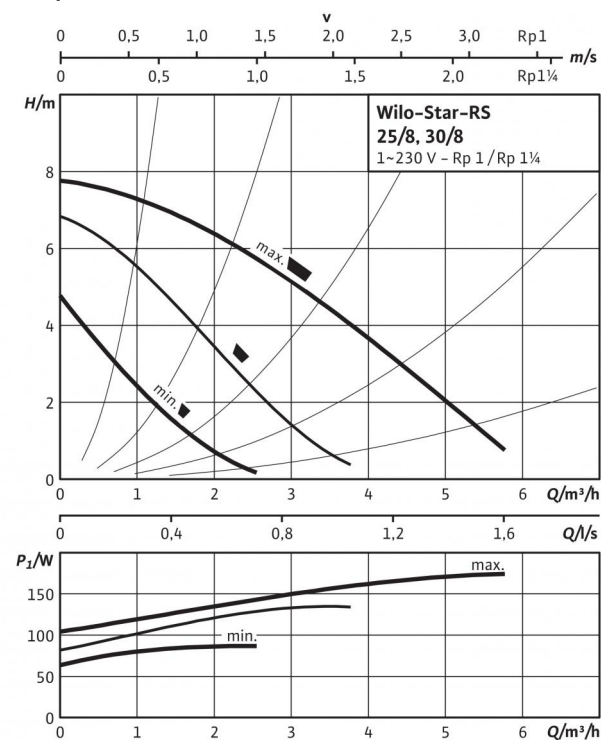
Version ...RG with pump housing made of red brass

Version ...L with connection for quick aspirator

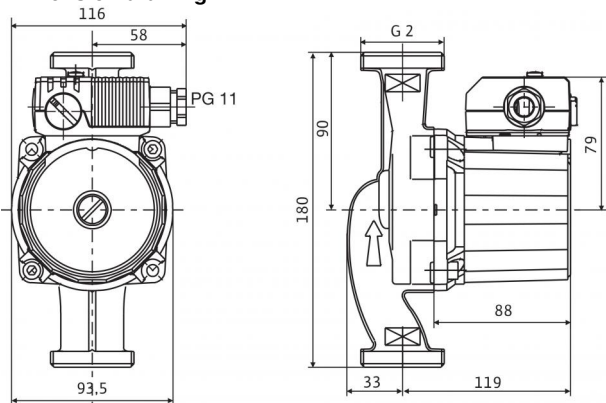


## Data sheet: Star-RS 30/8

### Pump curves

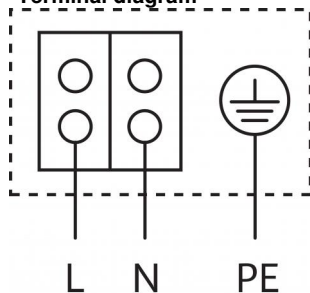


### Dimension drawing



Motor horizontal  
 Terminal box positions for 3, 6, 9 and 12 o'clock possible

### Terminal diagram



Blocking current-proof motor  
 Single-phase motor (EM) 2-pole - 1~230 V, 50 Hz  
 With built-in capacitor

### Approved fluids (other fluids on request)

Heating water (in accordance with VDI 2035)  
 Water-glycol mixtures (max. 1:1; above 20% admixture, the pumping data must be checked)

### Permitted field of application

Temperature range at max. ambient temperature +40 °C  
 Maximum permissible operating pressure  $P_{max}$

### Pipe connections

Threaded pipe union  
 Thread  
 Overall length  $L_0$

### Motor/electronics

Electromagnetic compatibility

Emitted interference

Interference resistance

Speed control

Protection class

Insulation class

Mains connection

Speed  $n$

Power consumption  $P_1$

Current consumption  $I$

Motor protection

Threaded cable connection PG

### Materials

Pump housing

Impeller

Pump shaft

Bearing

### Minimum suction head at suction port for avoiding cavitation at water pumping

Temperature  
 Minimum suction head at 50 / 95 / 110 °C

### Information for order placements

Make

Art no.

Type

Weight approx.  $m$

Version ...RG with pump housing made of red brass

Version ...L with connection for quick aspirator

•

•

-10...+110 °C

10 bar

Rp 1¼

G 2

180 mm

EN 61800-3

EN 61000-6-3

EN 61000-6-2

-

IP 44

F

1~230 V, 50 Hz

2122 / 2404 / 2760 rpm

81 / 113 / 151 W

0.40 / 0.60 / 0.76 A

Not required (blocking-current proof)

1x11

Grey cast iron

Fibreglass-reinforced PP

Stainless steel (X40Cr13)

Carbon, metal impregnated

0.5 / 3 / 10 m

Wilo

4094375

Star-RS 30/8

3.74 kg