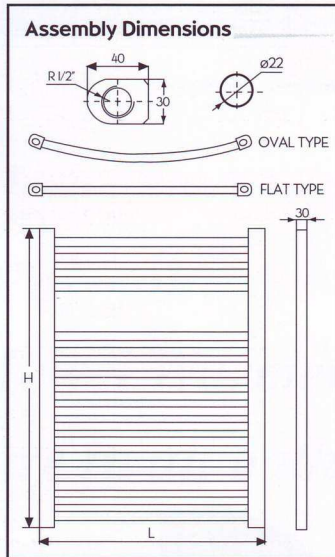


Circular Tube Series Flat / Oval Type



You can compose an excellent esthetic appearance of towel drying and warming up with the radiators coloured in conformity with the colour harmony of the other accessories in your bathroom.

STRONG



TECHNICAL SPECIFICATIONS

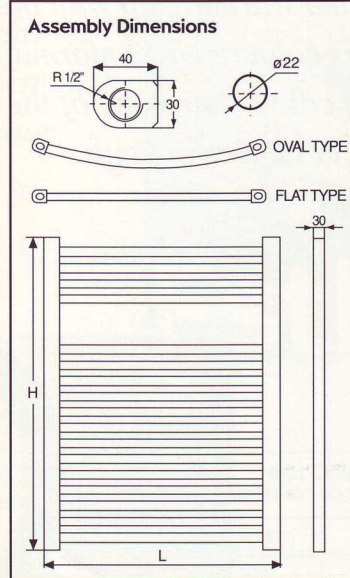
Sizes		Axis Distance mm.	Number of Pipes	Water Volume (lt)	Weight kg.	Electrostatic Coloured Type	
Width (L)	Height (H)					Watt	Kcal/h
500	600	455	12	2,30	4,27	431	370
500	800	455	17	3,43	5,99	648	557
500	1000	455	20	3,85	7,12	697	599
500	1200	455	25	5,78	8,83	1.045	899
500	1600	455	33	6,79	11,68	1.339	1.151
600	600	555	12	2,65	5,04	505	435
600	800	555	17	3,88	7,08	758	652
600	1000	555	20	4,44	8,4	770	662
600	1200	555	25	6,66	10,44	1.155	993
600	1600	555	33	7,51	13,8	1.571	1.351
800	600	755	12	3,38	6,58	657	565
800	800	755	17	4,84	9,26	924	794
800	1000	755	20	5,67	10,96	1.006	865
800	1200	755	25	8,50	13,64	1.509	1.298
800	1600	755	33	9,14	18,03	2.049	1.762

WEL WARMERS

Circular Tube Chromium Coated Towel Warmers Flat / Oval



Chromium coated towel warmers that from a great harmony with the armatures and the other accessories of chromium coloured in your bathroom force the limits of smartness in your places.

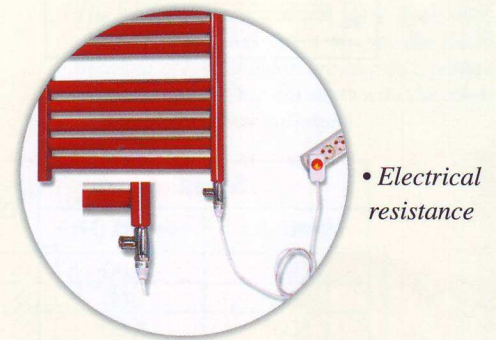


TECHNICAL SPECIFICATIONS

Sizes		Axis Distance (mm)	Heat Output (EN 442 75/65 - 20°C)	
Width (L)	Height (H)		watt	kcal/h
500	600	455	344	296
500	800	455	519	446
500	1000	455	557	479
500	1200	455	836	719
500	1600	455	1.244	1.070
600	600	555	404	348
600	800	555	607	522
600	1000	555	616	529
600	1200	555	923	794
600	1600	555	1.457	1.253
800	600	755	526	452
800	800	755	739	636
800	1000	755	805	692
800	1200	755	1.207	1.038
800	1600	755	1.911	1.643

Towel Warmer Accessories

Baymak Towel warmer accessories are given handy using on drying of towels.



300 W - 500 W - 700 W
electrical resistances are as on option.



www.baymak.com.tr e-mail:export@baymak.com.tr



BAYMAK MAKİNA SANAYİ VE TİC. AŞ.
TEPEÖREN, AKDENİZ CAD. 34959 ORHANLI - TUZLA - İSTANBUL
TEL.: (0216) 304 10 88 - 304 20 44 (pbx)