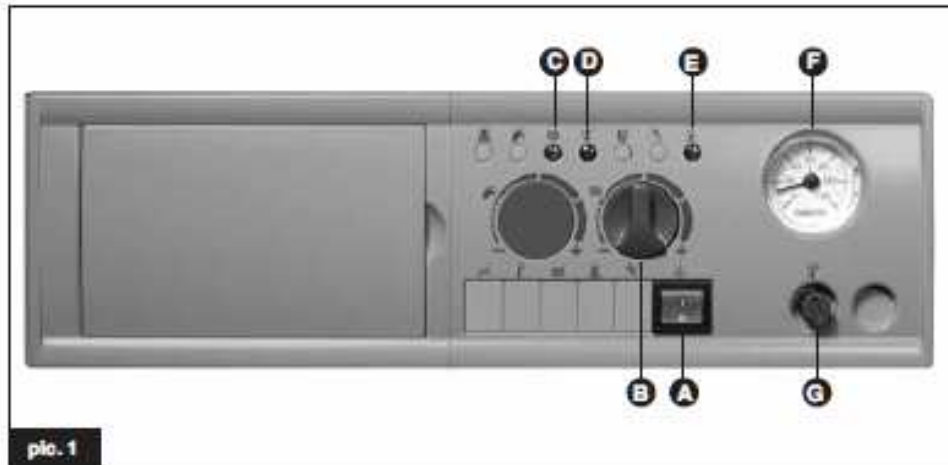




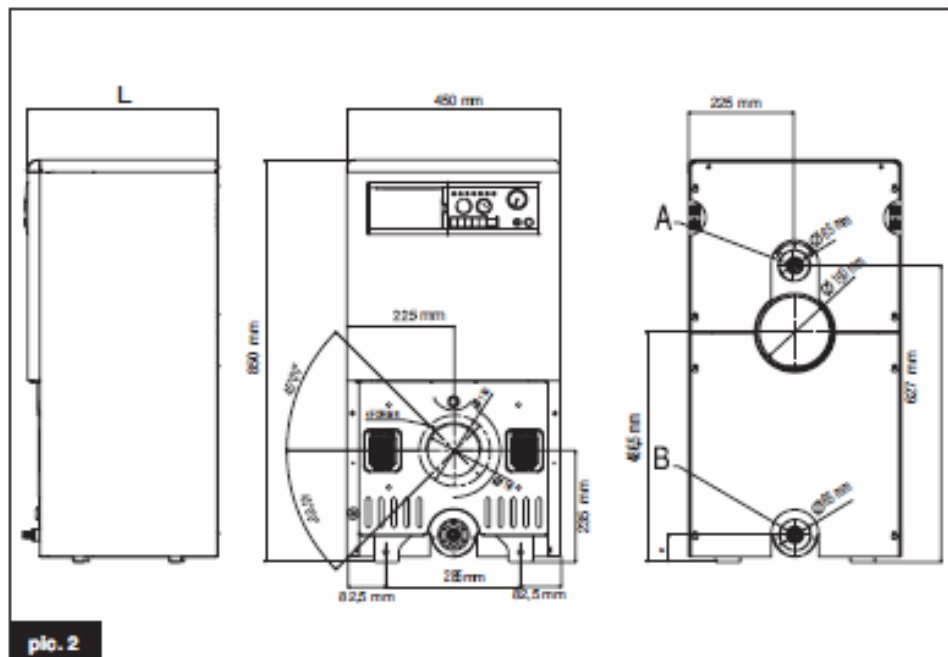
DRAGO DUAL





pic. 1

- A - Main switch with power light (green)
- B - CH temperature control
- C - Heating pump operating light (yellow)
- D - Overheating shutdown light (red)
- E - Burner light (yellow)
- F - Thermometer
- G - Safety thermostat with manual reset



pic. 2

MODEL	L	Flow A	Return B
23	400	1" 1/4	1"
33	525	1" 1/4	1"
43	625	1" 1/4	1"
53	700	1" 1/4	1"
63	800	1" 1/4	1"
73	900	1" 1/4	1"